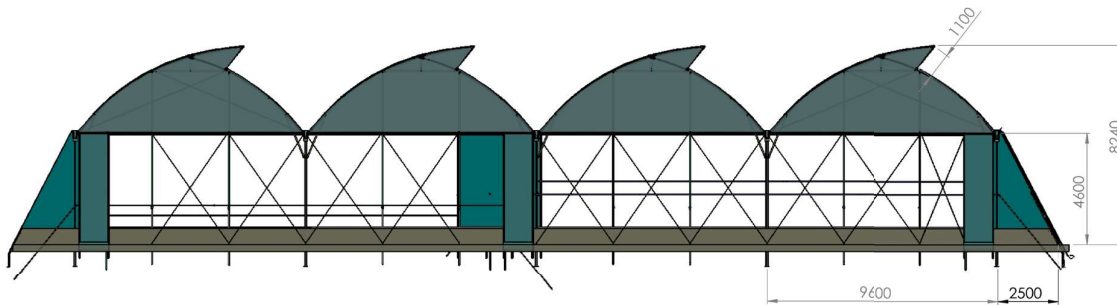


MARISSA GREENHOUSE 9.6

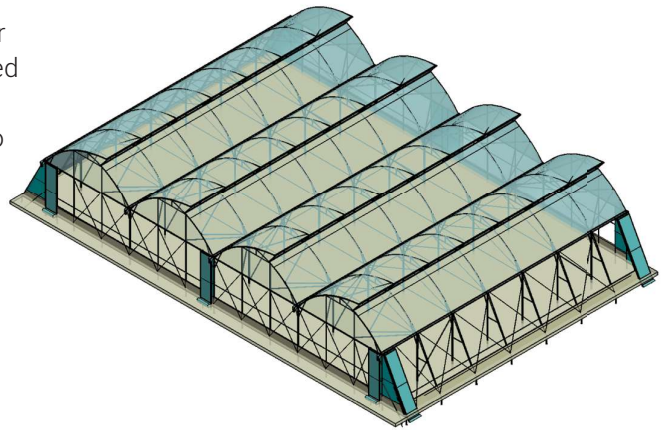
 **AGROTEM**
BUILT FOR GROWTH

MARISSA GREENHOUSE 9.6

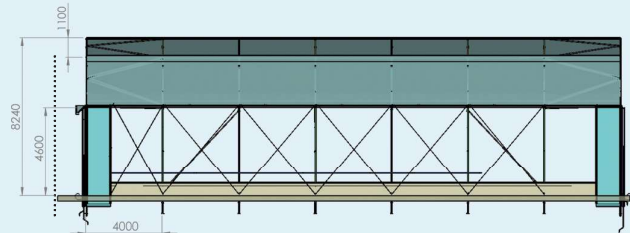


Agrotem's Marissa Model is a Polyethylene cover structure of the fixed top-vent type. It is Reinforced for regional weather condition, and includes side curtain and slide doors. It offers excellent cost to value for flowers and vegetables growers.

- Wind resistance up to 108 Km/h
- Ideal light penetration
- Good ventilation for maintaining an optimal growing environment and improving the overall efficiency.



The size of this model is 9.6m wide and the Raingutter height is 4.5m.



SUITABLE FOR THE FOLLOWING CROPS:



STRUCTURAL TECHNOLOGIES



Steel

High quality tensile strength steel, about 30% stronger than common greenhouses steel



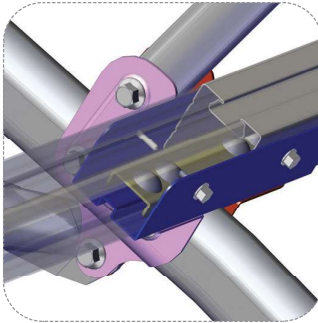
Coating

Pregalvanized 275g/m² or according to the customer custom requirements



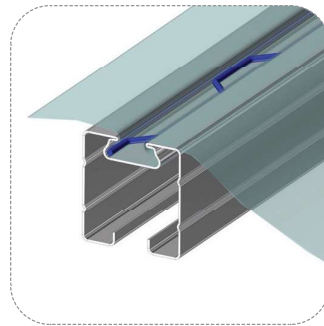
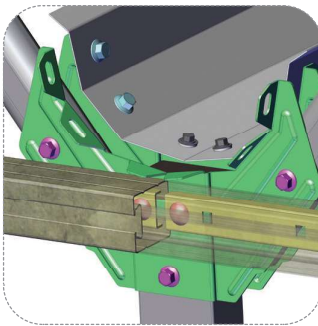
Installation

Efficient and Easy installation and assembly

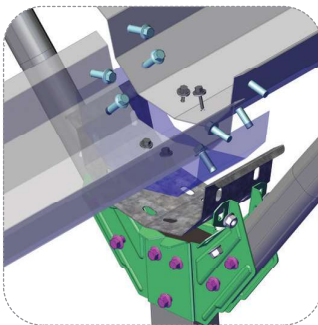


Integral Profiles

- Integral profiles are used for Low Perlin (small roof)
- Integral profiles reduce installation costs and provide long-term maintenance costs savings.
- Alu-Zinc coated, or based on customer custom requirements.



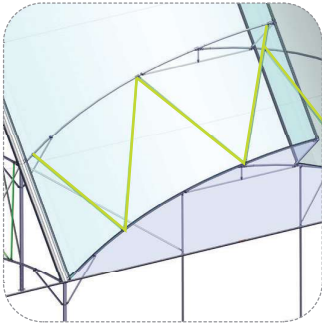
- Integral profiles are used for Gable Perlin (half-moon)



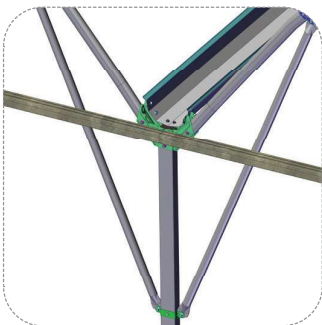
Rain Gutters

- The gutters assembly are designed to ensure maximal water drain-off and prevent leakage.
- The gutter assembly increase the structure strength and durability.

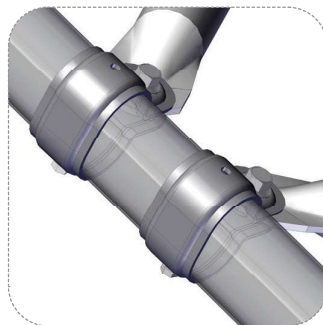
MARISSA GREENHOUSE 9.6



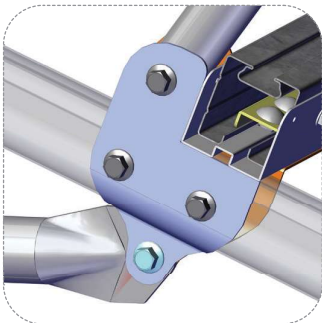
Diagonal pipes support / reinforcement (between first to second arch) -
reduces installation, maintenance time and costs.



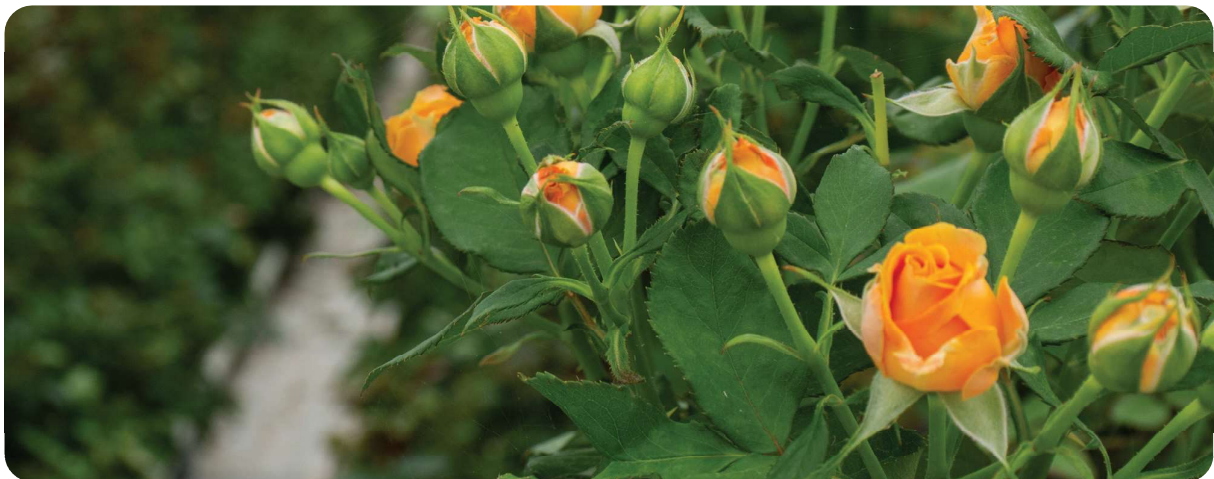
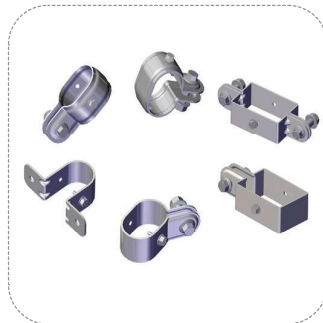
Pipes support / reinforcement between column to arch

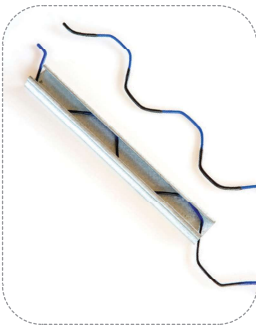


Pipe Bands
creating distance between the plastic and the pipes for optimizing long plastic life



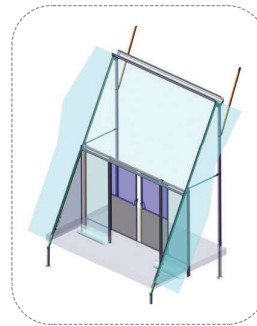
Unique Assembly connectors
reduces installation time and costs.





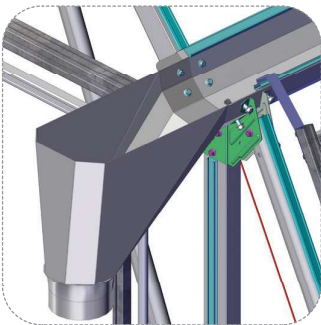
ZigZag (wiggle) wire

- Works together with locking profile to create the best film fastening method.
- Quick easy installation while ensuring durability and optimizing long plastic life.



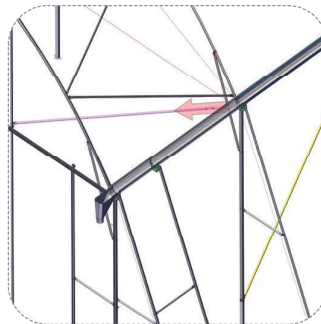
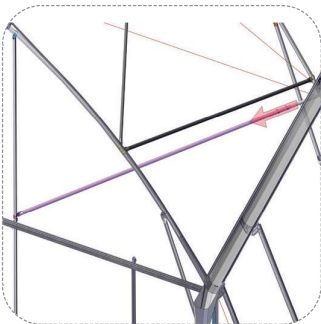
Greenhouse door options:

- Single Door 2m*2.2m
- Double Door 1m*2.2m
- Single / Double wing door



High capacity Funnel Gutter

- Hot Dip galvanize steel funnel gutter
- outlet pipe 160mm
- maximal water flow during heavy rains
- long life span product



Telescopic reinforcements

- Wind reinforcement between columns
- Front wall telescopic reinforcement

MARISSA GREENHOUSE 9.6

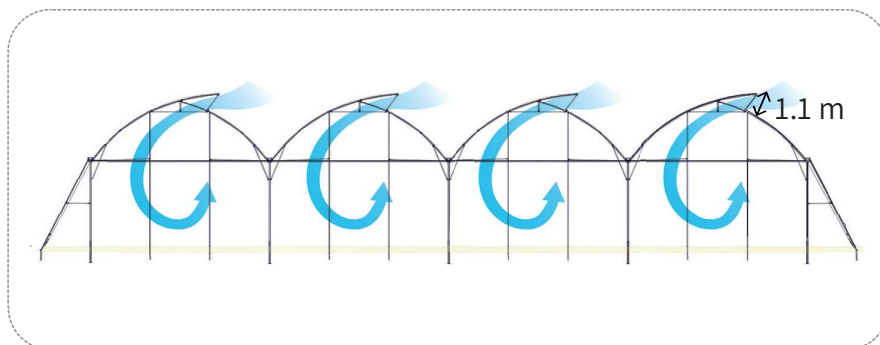


Optional:
Trellising system
up to 25 KG/m²
Transverse cables,
lengthwise wires



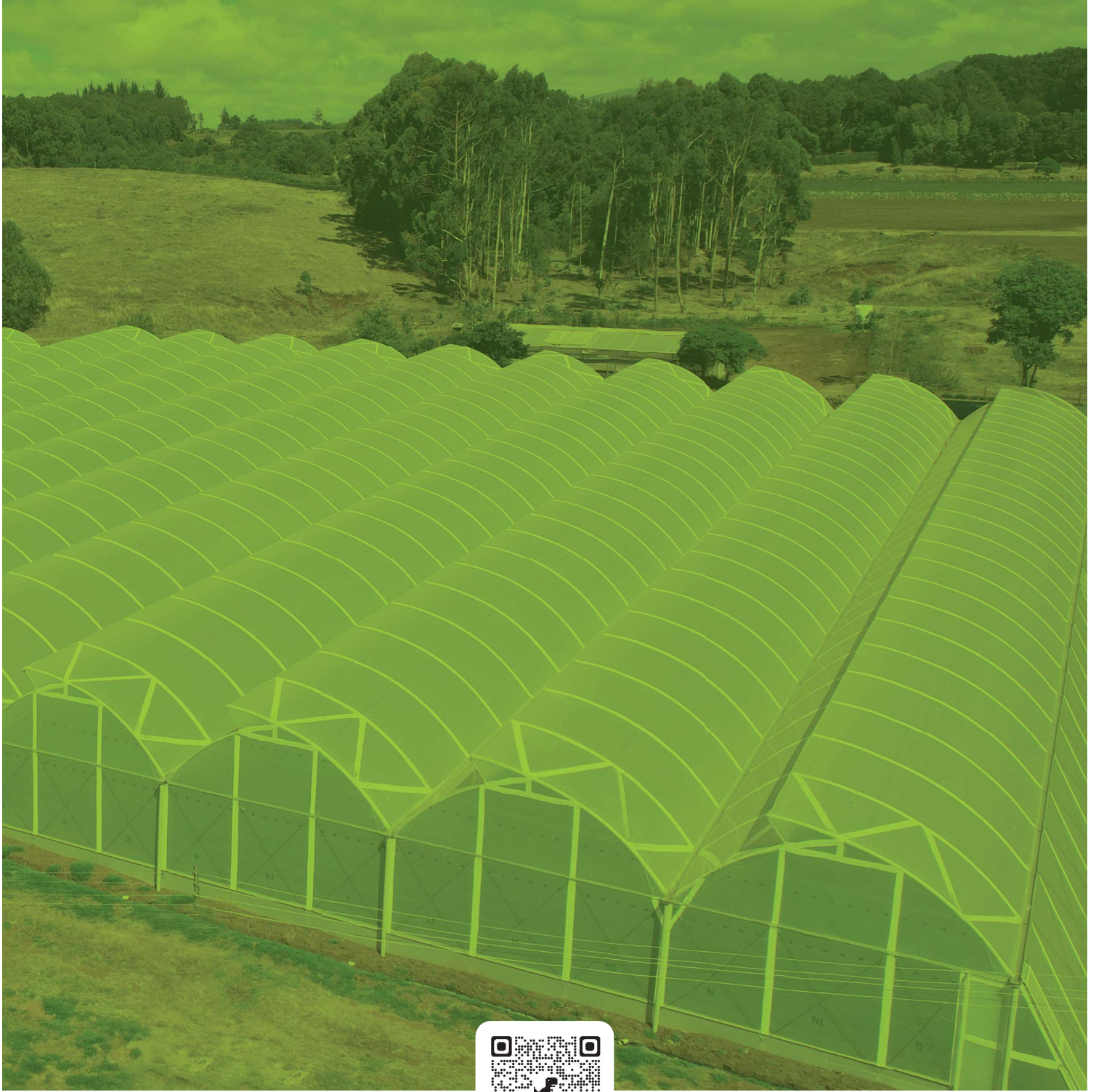
Bolts

- High quality bolts and nuts with Geomet® coating, tested for 500 hours of salt spray in accordance with ASTM B117-11.
- Excellent corrosion protection.



Greenhouse roof vents
keeps temperatures
moderate and promote
air circulation within
the greenhouse.





 **AGROTEM**
BUILT FOR GROWTH

Mitcham Yevolim, Pardesia, 4281500, Israel
Tel: +972-37635555 | Whats up / Mobile: 054-9931259
Fax: +972-773182730 | Email: sales@agrotem.net